



CLEAR CHOICE™

Face and Eye Splash Protection

Choose a comfortable, durable and reliable shield that will help protect you and those around you.

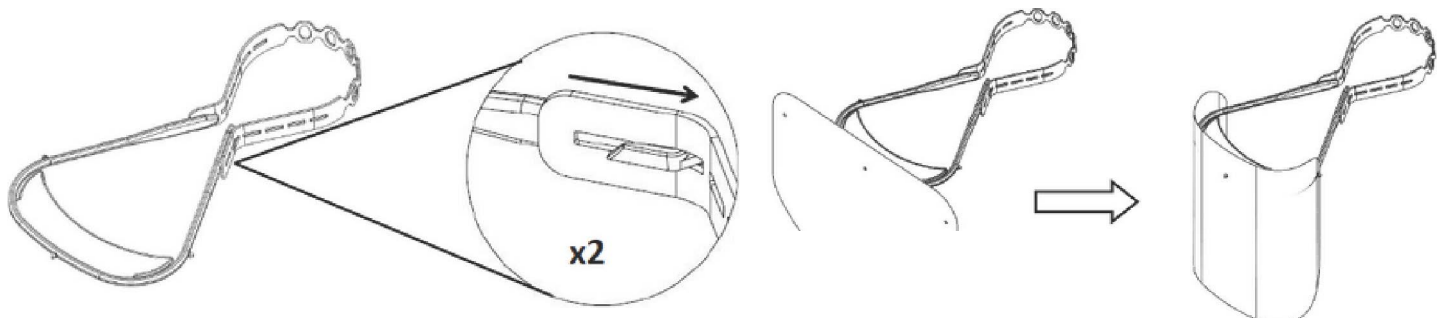
Southmedic ClearChoice Face and Eye Shields are transparent to allow full visualization while protecting from spray and splash. Easily worn with eyewear, folding frames ensures a comfortable fit for hours.

- Distortion-free optical lens, easily worn over prescription glasses and surgical masks
- Cost effective reusable frames
- Not made with BPA or natural rubber latex
- Light weight and comfort fit
- Adjustable head strap



ClearChoice Face Shields and Plastic Frames

SMI Code	Description	No. of Frames Included	No. of Shields Included	Shield Size (Inches) (L x H x D)	Case Pack
SMI1010	ClearChoice Face Shields Kit, Adjustable Straps	10	10	9.75 x 8.56 x 0.007	10
SMI2510-PF	ClearChoice Face Shields w/ Protective Film	-	25	9.75 x 8.56 x 0.007	25
SMI2511	ClearChoice Frames with Adjustable Straps	25	-	-	25
SMI45100S	ClearChoice Face Shields	-	100	9.75 x 8.56 x 0.010	100
SMI45100FB	ClearChoice Frames with Adjustable Straps	100	-	-	100
SMI45100S-PF	ClearChoice Face Shields w/ Protective Film	100	100	9.75 x 8.56 x 0.007	100

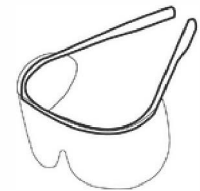
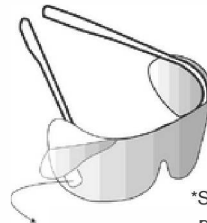
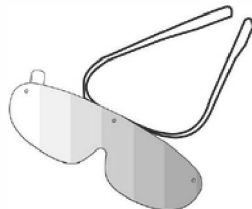


CLEAR CHOICE™



ClearChoice Eye Shields and Plastic Frames

SMI Code	Description	No. of Frames Included	No. of Shields Included	Shield Size (Inches) (L x H x D)	Case Pack
SMI9210-100	ClearChoice Eye Shields	-	100	9.0 x 2.79 x 0.005	100
SMI9210-100PF	ClearChoice Eye Shields w/ Protective Film	-	100	9.0 x 2.79 x 0.007	100
SMI9210-100T	ClearChoice Eye Shields w/ Protective Film Both Sides	-	100	8.95 x 2.88 x 0.007	100
SMI9211B	ClearChoice Eye Shield Frames, Black	100	-	-	100
SMI9211MC	ClearChoice Eye Shield Frames Multi-Coloured	100	-	-	100
SMI9212	ClearChoice Eye Shields Large Office Pack	100	100	9.0 x 2.79 x 0.005	100
SMI9212PF	ClearChoice Eye Shields w/ Protective Film Large Office Pack	100	100	9.0 x 2.79 x 0.007	100
SMI9214-1025	ClearChoice Eye Shields w/ Folding Frames, Black	10	25	9.0 x 2.79 x 0.005	10/25
SMI9214B	ClearChoice Eye Shield Folding Frames, Black	100	-	-	100
SMI9214MC	ClearChoice Eye Shields Folding Frames, Multi-Coloured	100	-	-	100
SMI9215-50	ClearChoice Preassemble Eye Shields and Frames	50	50	9.0 x 2.79 x 0.005	50
SMI9452	ClearChoice Eye Shields Small Office Pack	10	25	9.0 x 2.79 x 0.005	10/25
SMI9452PF	ClearChoice Eye Shields w/ Protective Film Small Office Pack	10	25	9.0 x 2.79 x 0.007	10/25



*Shown here is protective film



1-800-463-7146 Toll free in North America
 1-705-726-9383
custserv@southmedic.com
www.southmedic.com

Manufactured by:
 Southmedic Inc.
 50 Alliance Blvd., Barrie, ON
 Canada L4M 5K3

ISO 13485
 P0251 Aug 2024 Rev. B